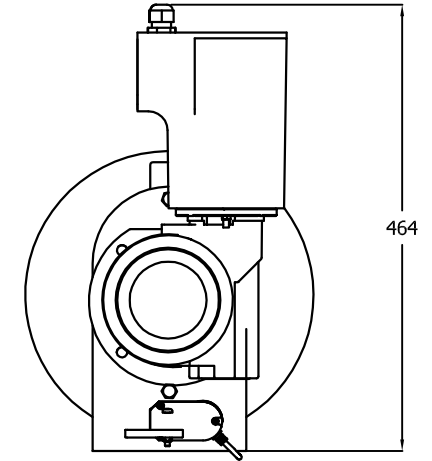
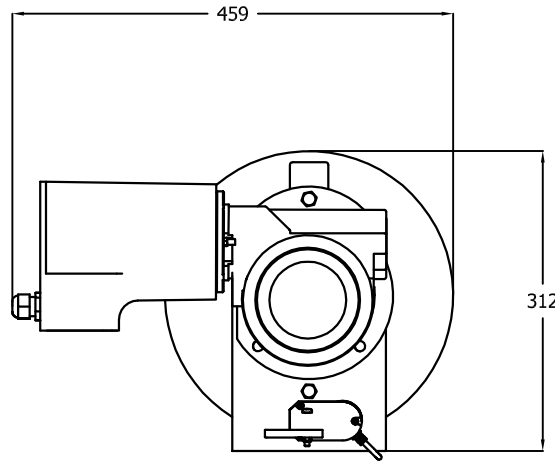
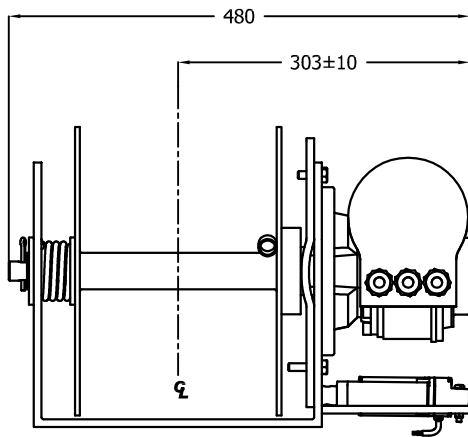
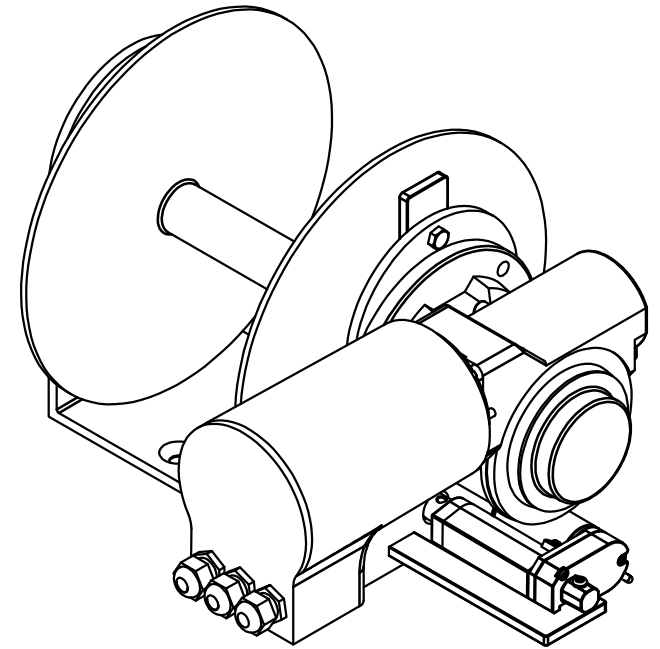


The gearbox mounting holes in the mounting bracket allow the motor and drive to be installed at 4 angles to suit different anchor well configurations. Another 8 minor angle adjustments are available between the gearbox and gearbox flange.



© COPYRIGHT 2008

				<b>TOLERANCES</b> Unless otherwise stated NO DEC. ± 1 DEC. PL. ± 2 DEC. PL. ± HOLE DIAM. ± ANGLES ±		<b>SCALE</b> Drawn RJR Checked Design OK Approved DATE 23/08/08		<b>MATERIAL</b> 316 Stainless Steel		<b>FINISH</b> Chemically Polished		<b>DO NOT SCALE DIMENSIONS IN MILLIMETRES UNLESS OTHERWISE STATED</b>			
Issue	Ref.	REVISION	Drawn	Apprv.	Date	<b>stressfree marine Pty Ltd®</b>				<b>NAME</b> NG Maxi Anchor Winch (Medium)		DRAWING No.			