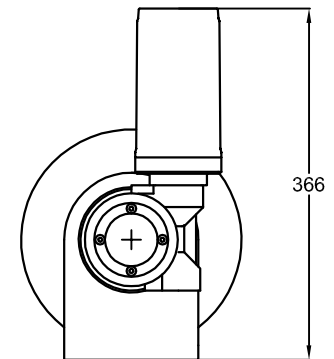
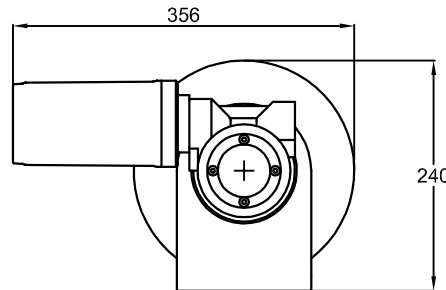
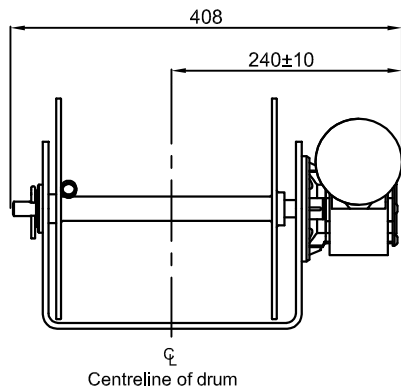
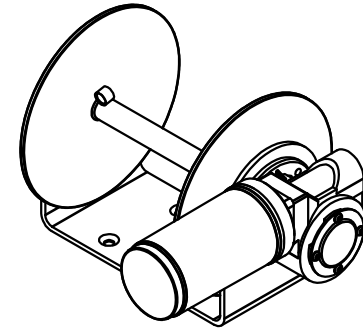


The gearbox mounting holes in the mounting bracket allow the motor and drive to be installed at 4 angles to suit different anchor well configurations. Another 8 adjustment angles are available at 30° and 45° from each of the basic 4 mounting holes.



© COPYRIGHT 2008

				TOLERANCES Unless otherwise stated		SCALE Drawn RJR		MATERIAL 316 Stainless Steel		FINISH Chemically Polished		DO NOT SCALE DIMENSIONS IN MILLIMETRES UNLESS OTHERWISE STATED			
				NO DEC. ±		Checked		<b>stressfree marine Pty Ltd®</b>		NAME Mini Extrawide Anchor winch (Small Extrawide)		DRAWING No.			
				1 DEC. PL. ±		Design OK									
				2 DEC. PL. ±		Approved									
Issue	Ref.	REVISION	Drawn	Apprv.	Date	DATE 2/05/08									