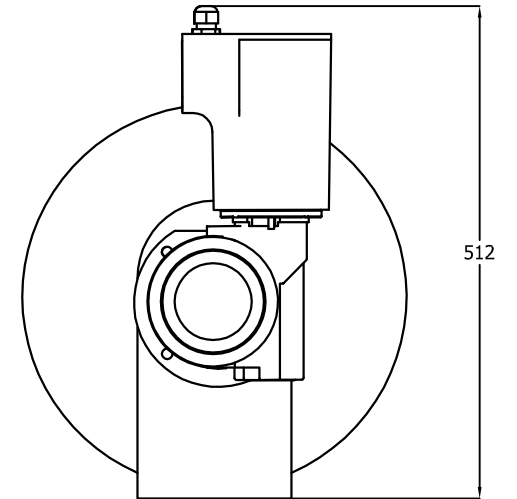
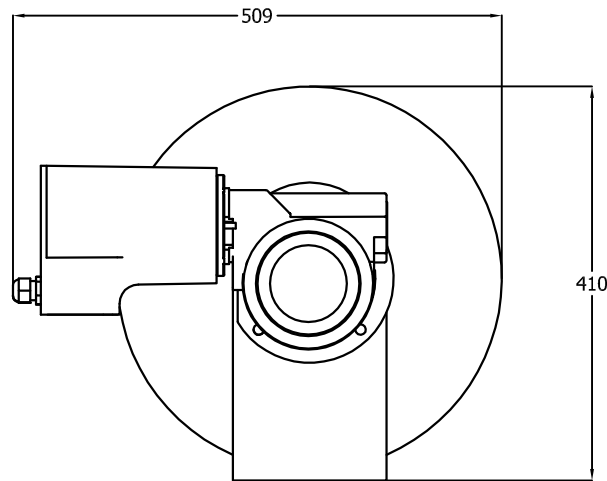
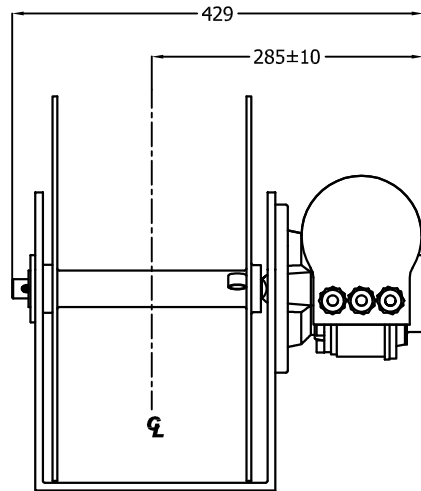
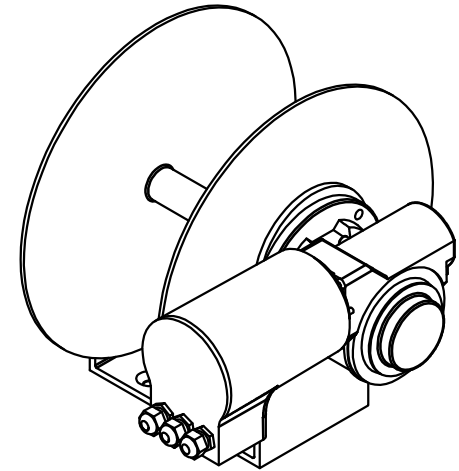


The gearbox mounting holes in the mounting bracket allow the motor and drive to be installed at 4 angles to suit different anchor well configurations. Another 8 minor angle adjustments are available between the gearbox and gearbox flange.



© COPYRIGHT 2008

			<b>TOLERANCES</b> Unless otherwise stated NO DEC. ± 1 DEC. PL ± 2 DEC. PL ± HOLE DIAM. ± ANGLES ±			<b>SCALE</b> Drawn RJR Checked Design OK Approved DATE 2/05/08		<b>MATERIAL</b> 316 Stainless Steel		<b>FINISH</b> Chemically Polished		<b>DO NOT SCALE</b> DIMENSIONS IN MILLIMETRES UNLESS OTHERWISE STATED			
<b>Issue Ref.</b> REVISION Drawn Apprv. Date			<b>stressfree marine Pty Ltd®</b>						<b>NAME</b> Mighty Anchor winch (Large)		<b>DRAWING No.</b>				