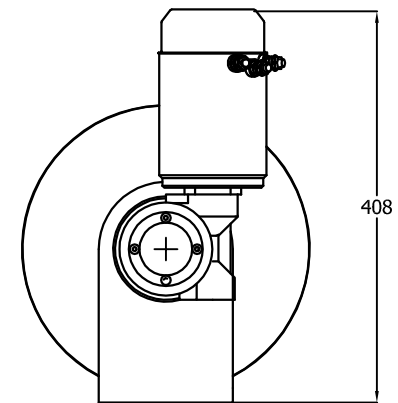
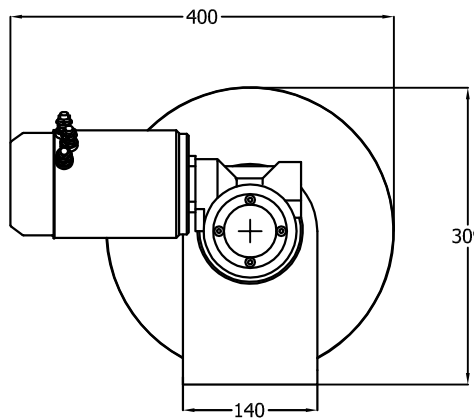
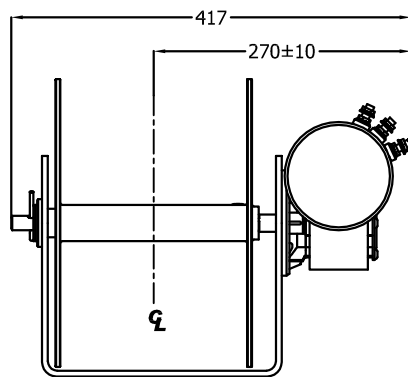
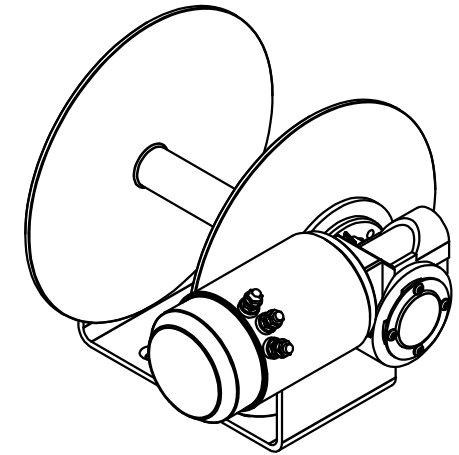


The gearbox mounting holes in the mounting bracket allow the motor and drive to be installed at 4 angles to suit different anchor well configurations. Another 8 adjustment angles are available at 30° and 45° from each of the basic 4 mounting holes.



© COPYRIGHT 2008

						<b>TOLERANCES</b> Unless otherwise stated		<b>SCALE</b> Drawn RJR		<b>MATERIAL</b> 316 Stainless Steel		<b>FINISH</b> Chemically Polished		<b>DO NOT SCALE</b> DIMENSIONS IN MILLIMETRES UNLESS OTHERWISE STATED			
						NO DEC. ± 1 DEC. PL ± 2 DEC. PL ± HOLE DIAM. ± ANGLES ±		Checked Design OK Approved		<b>stressfree marine Pty Ltd®</b>		<b>NAME</b> Midi Anchor winch (Light Medium)		DRAWING No.			
Issue	Ref.	REVISION		Drawn	Apprv.	Date	DATE 2/05/08										